



5F, No.371-1, Sec.2, Chung shan Road, Chung Ho, Taipei county Taiwan

TEL : 886-2-82277070

FAX : 886-2-82277171

E-mail : lightop@anet.net.tw

光 楠 科 技 股 份 有 限 公 司
LIGHTOP TECHNOLOGY CO., LTD.

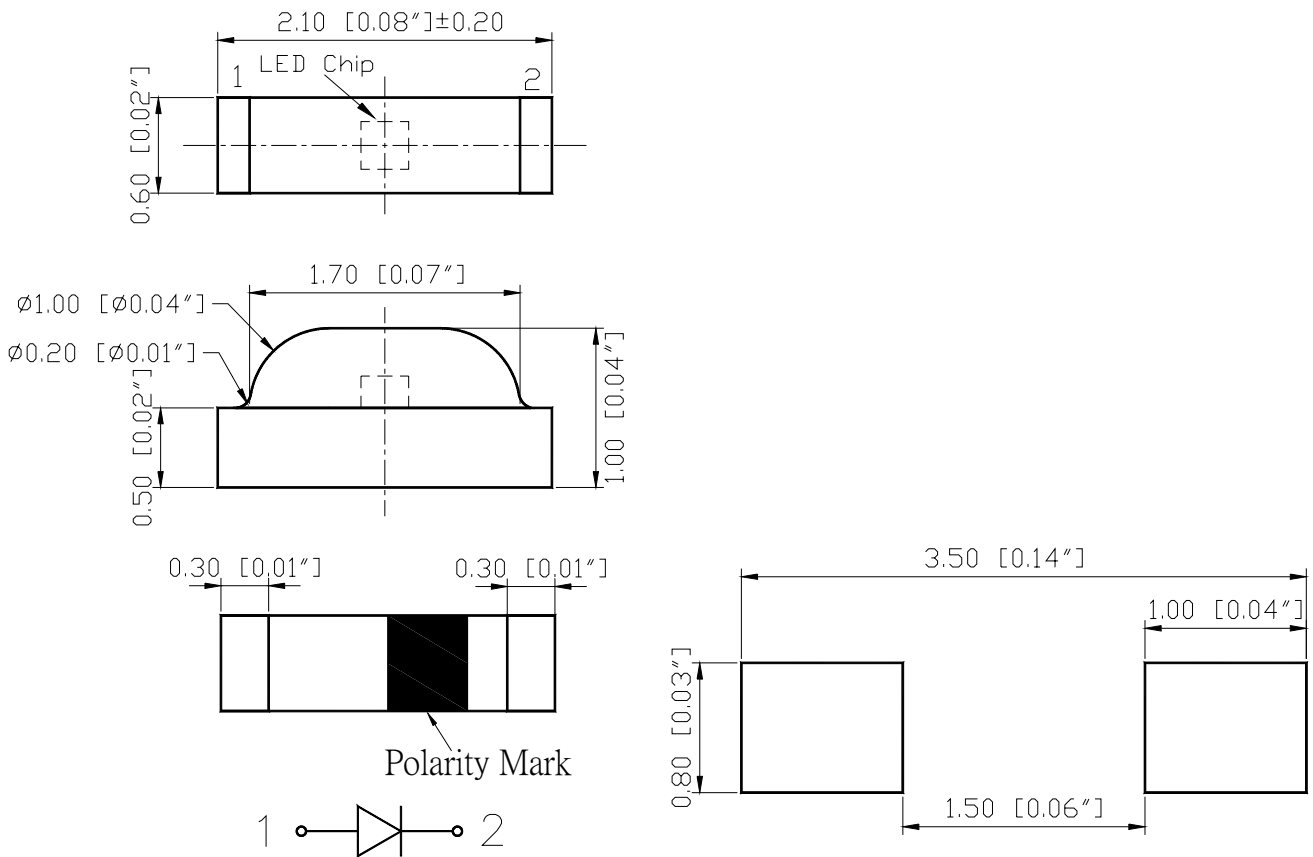
Data Sheet

REVISION	03
ISSUE DATE	2009/10/10
APPROVAL BY	JASON
PREPARED BY	LUOFAXING

Features:

- 1. Low power consumption
- 2. High efficiency
- 3. Reliable and rugged
- 4. Chip Material: AlGaInP
- 5. Lens Color: Water clear
- 6. Source Color: YELLOW

Outline Dimensions:



Note :

- 1. All dimensions are in millimeters (inches)
- 2. Tolerance is ±0.1mm (0.004") unless otherwise noted
- 3. Specifications are subject to change without notices.

Absolute Maximum Ratings at Ta=25°C :

Parameter	Maximum	Unit
Power Dissipation	75	mW
Peak Forward Current (1/10 Duty Cycle,0.1ms Pulse Width)	100	mA
Continuous Forward Current	25	mA
Derating Linear From 50°C	0.4	mA/°C
Reverse Voltage	5	V
Operating Temperature Range	-20°C to +80°C	
Storage Temperature Range	-30°C to +85°C	
Lead Soldering Temperature [1.6mm(0.63") from body]	260°C for 3 Seconds	

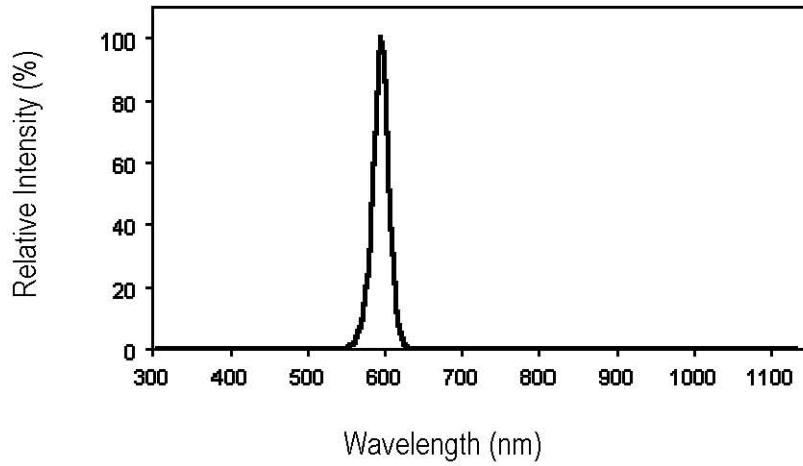
Electrical/Optical Characteristics at Ta=25°C :

Parameter	Symbol	Test Condition	Min.	Typ.	Max.	Unit
Luminous Intensity	I _v	I _F =20mA	32	45	100	mcd
Dominant Wavelength	λ _d	I _F =20mA	585	590	595	nm
Viewing Angle	2 θ 1/2	I _F =20mA		150		deg
Forward Voltage	V _F	I _F =20mA	1.7	2.0	2.5	V
Reverse Current	I _R	V _R =5V			10	uA

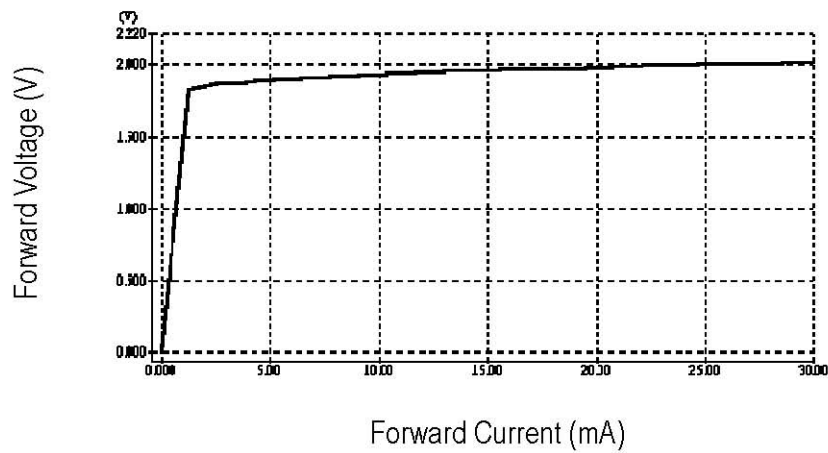
Typical Electrical/Optical Characteristics Curve:

(25°C Ambient Temperature Unless Otherwise Noted)

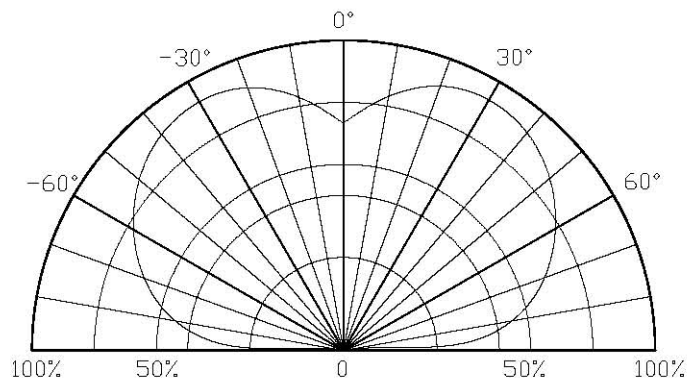
Relative Intensity vs. Wavelength



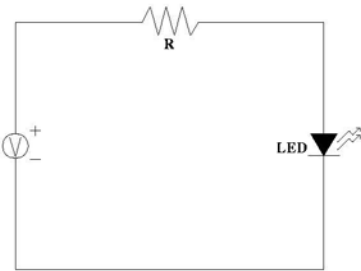
Forward Current vs. Forward Voltage



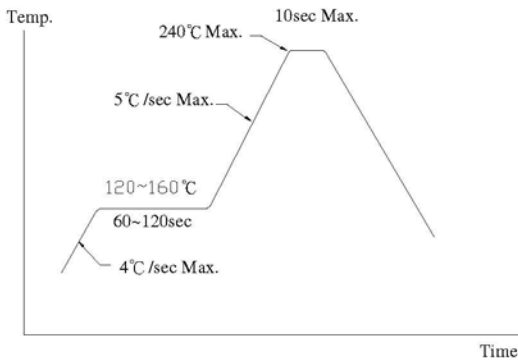
Directive Characteristics



● Test Circuit



● Reflow Temp. / Time :



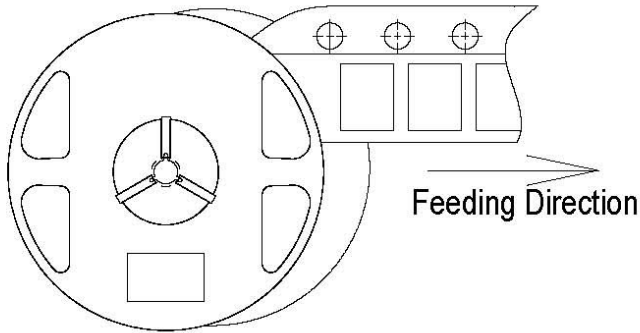
● Reliability Test Items And Conditions

The reliability of products shall be satisfied with items listed below.

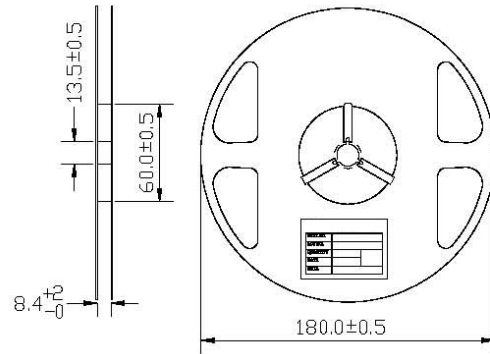
No.	Items	Test Condition	Test Hours/Cycles	Sample Size
1	Solder Heat	TEMP : 260°C ±5°C	5 sec	48 pcs
2	Temperature Cycle	90°C ~ 25°C ~ -30°C ~ 25°C 30m 5m 30m 5m	300Cycles	48 Pcs
3	Thermal Shick	100°C ~ -55°C 10m 10m	100Cycles	48 Pcs
4	Operation Life	If=20mA	1000 Hrs	48 Pcs
5	High Temperature Storage	Temp:90°C	1000Hrs	48 Pcs
6	Low Temperature Storage	Temp:-30°C	1000Hrs	48 Pcs
7	High Temperature/High Humidity	80°C / R.H80%	1000Hrs	48 Pcs

Tape & Reel of H216 series:

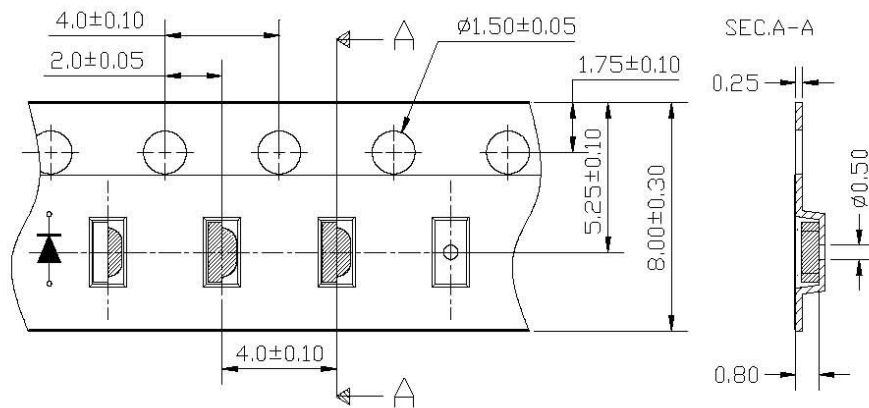
● Feeding Direction



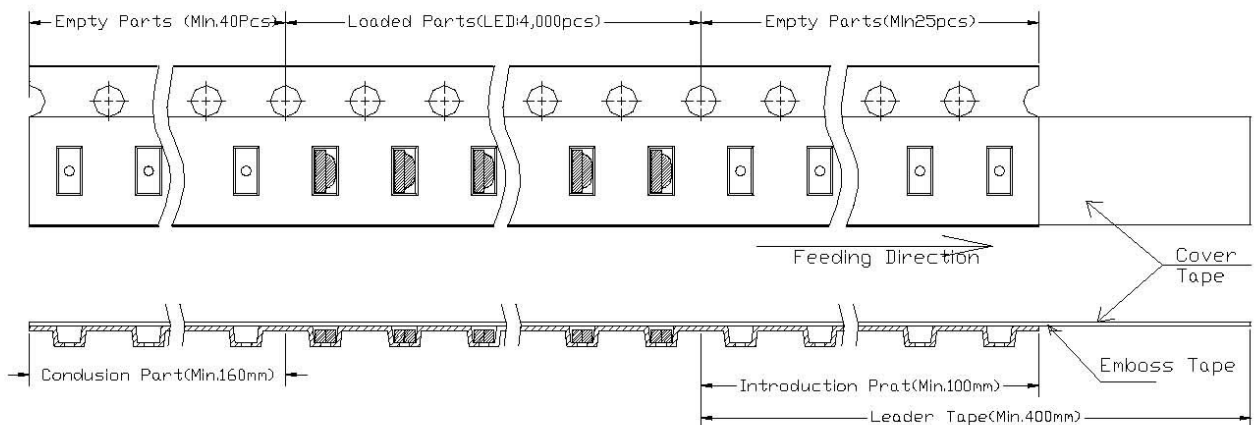
● Dimensions of Reel (Unit: mm)



● Dimensions of Tape (Unit: mm)



● Arrangement of Tape



NOTES

1. Empty component pockets are sealed with top cover tape;
2. The maximum number of missing lamps is two;
3. The cathode is oriented towards the tape sprocket hole.
4. 4,000 pcs/Reel