



5F, No.371-1, Sec.2, Chung shan Road, Chung Ho, New Taipei city Taiwan

TEL : 886-2-82277070

FAX : 886-2-82277171

E-mail : service@lightop.com.tw

光 楠 科 技 股 份 有 限 公 司
LIGHTOP TECHNOLOGY CO., LTD.

Data Sheet

REVISION	01
ISSUE DATE	2007/04/02
APPROVAL BY	JASON
PREPARED BY	LUOFAXING

Features:

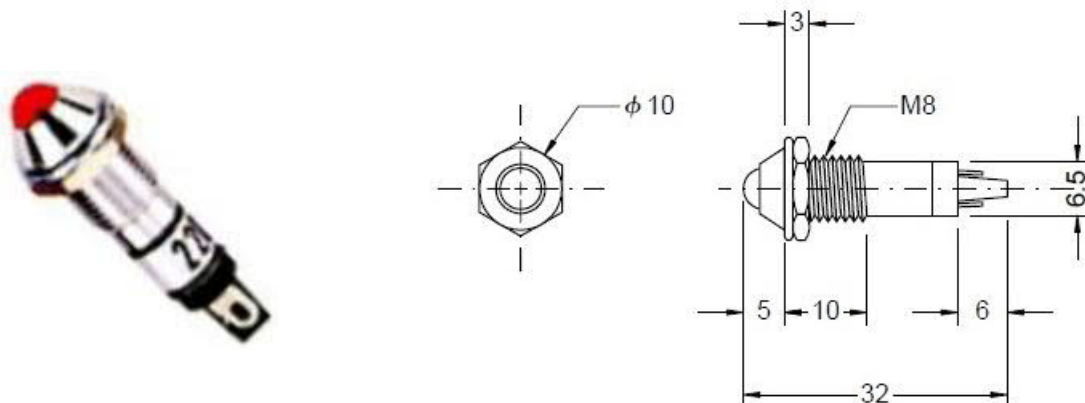
1. For indicator light purpose
2. Long lifespan

LED specification:

1. Type: Lamp LED, ϕ 5mm, through hole type
2. Chip Material: GaP
3. Lens Color: Tinted (Red/Green/Yellow/Orange)
4. Emitting Color: Red/Green/Yellow/Orange

Housing Material:

1. Housing: Bronze
2. Nut: Bronze
3. Washer: Iron Hoop
4. Holder: Nylon 66 & FRP
5. Solder: Bronze
6. Lamp: LED

Outline Dimensions:

Note :

1. All dimensions are in millimeters (inches)
2. Tolerance is $\pm 0.5\text{mm}$ (0.02") unless otherwise noted
3. Specifications are subject to change without notices.

Absolute Maximum Ratings at Ta=25°C :

Parameter	Maximum	Unit
Power Dissipation	70	mW
Peak Forward Current (1/10 Duty Cycle,0.1ms Pulse Width)	100	mA
Continuous Forward Current	30	mA
Derating Linear From 50°C	0.4	mA/°C
Reverse Voltage	5	V
Operating Temperature Range	-40°C to + 80°C	
Storage Temperature Range	-40°C to + 85°C	
Lead Soldering Temperature [1.6mm(0.63") from body]	260°C for 3 Seconds	

Electrical/Optical Characteristics at Ta=25°C :

Part No.	Lighting color	Lens color	λ D(nm) (typ.)	Iv(mcd) (typ.)	Vf(v) (typ.)	Viewing Angle
N-706-R-x	RED	RED	660	20	1.9	60°
N-706-G-x	GREEN	GREEN	570	40	2.1	60°
N-706-Y-x	YELLOW	YELLOW	590	30	2.0	60°
N-706-E-x	ORANGE	ORANGE	620	30	2.0	60°

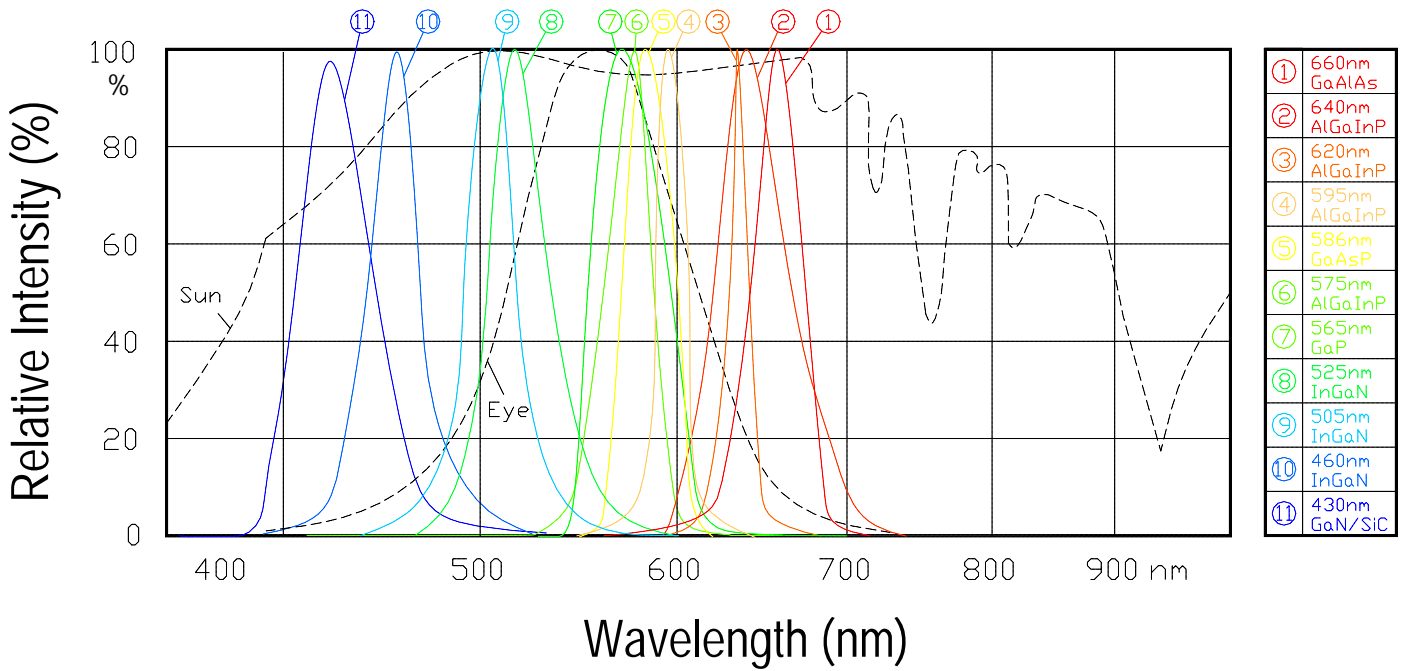
Part Number Selection Reference:

Input Voltage	DC 2V	DC 6V	DC 12V	DC 24V
Part Number	N-706-x-2V	N-706- x-6V	N-706- x-12V	N-706- x-24V

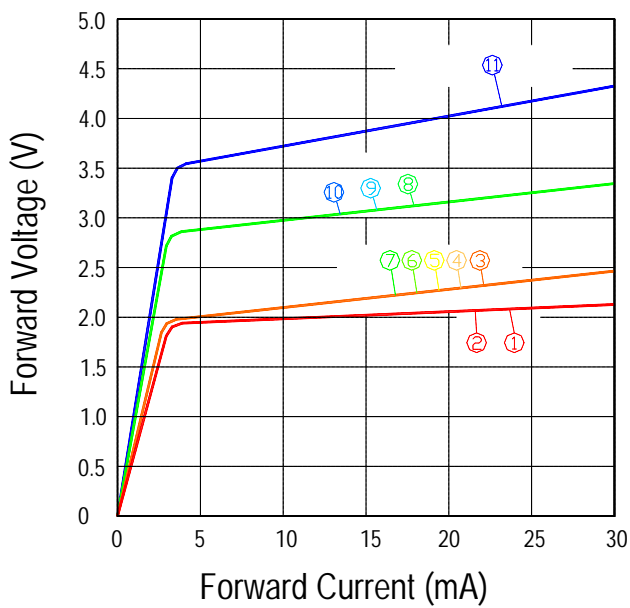
Typical Electrical/Optical Characteristics Curve:

(25°C Ambient Temperature Unless Otherwise Noted)

Relative Intensity vs. Wavelength



Forward Voltage vs. Forward Current



Relative Intensity vs. Forward Current

